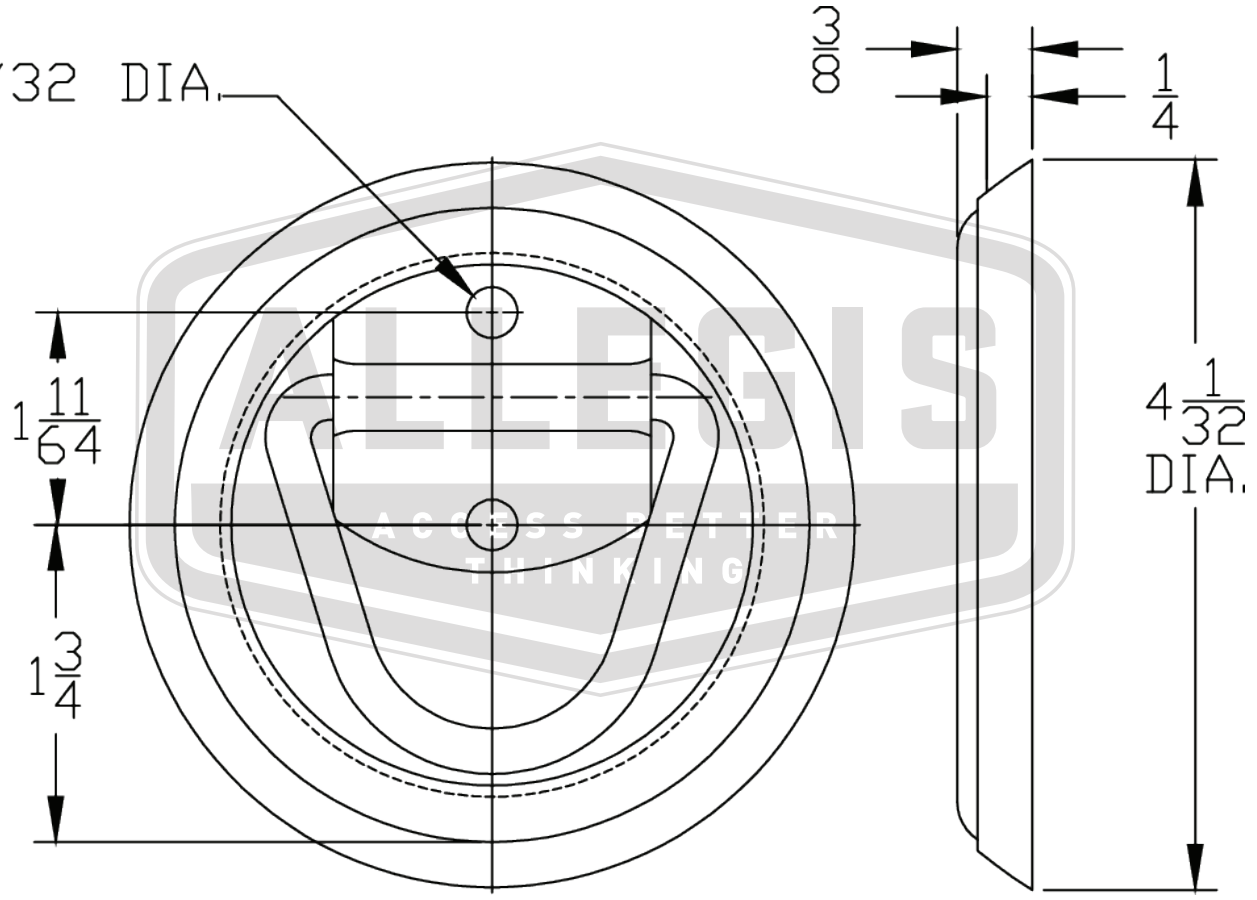


APPROVAL - CUSTOMER NAME & SIGNATURE

DATE

9/32 DIA.



ALLEGIS

1-866-378-7550

MATERIAL:

DRAWING NO. :

39F ZN

FINISH:

Zinc

REV.:

1:1

DATE:

6/12/2019